

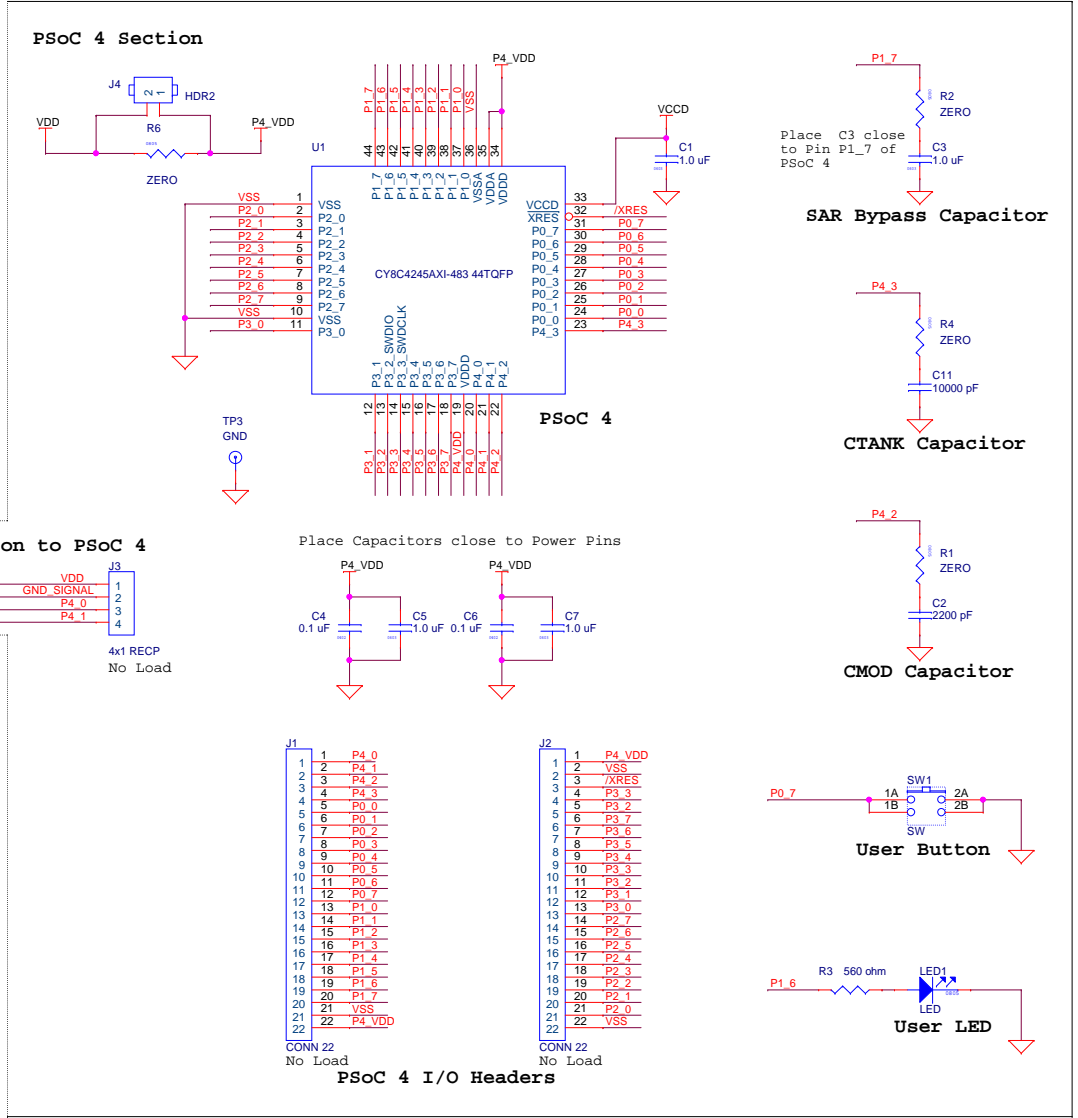
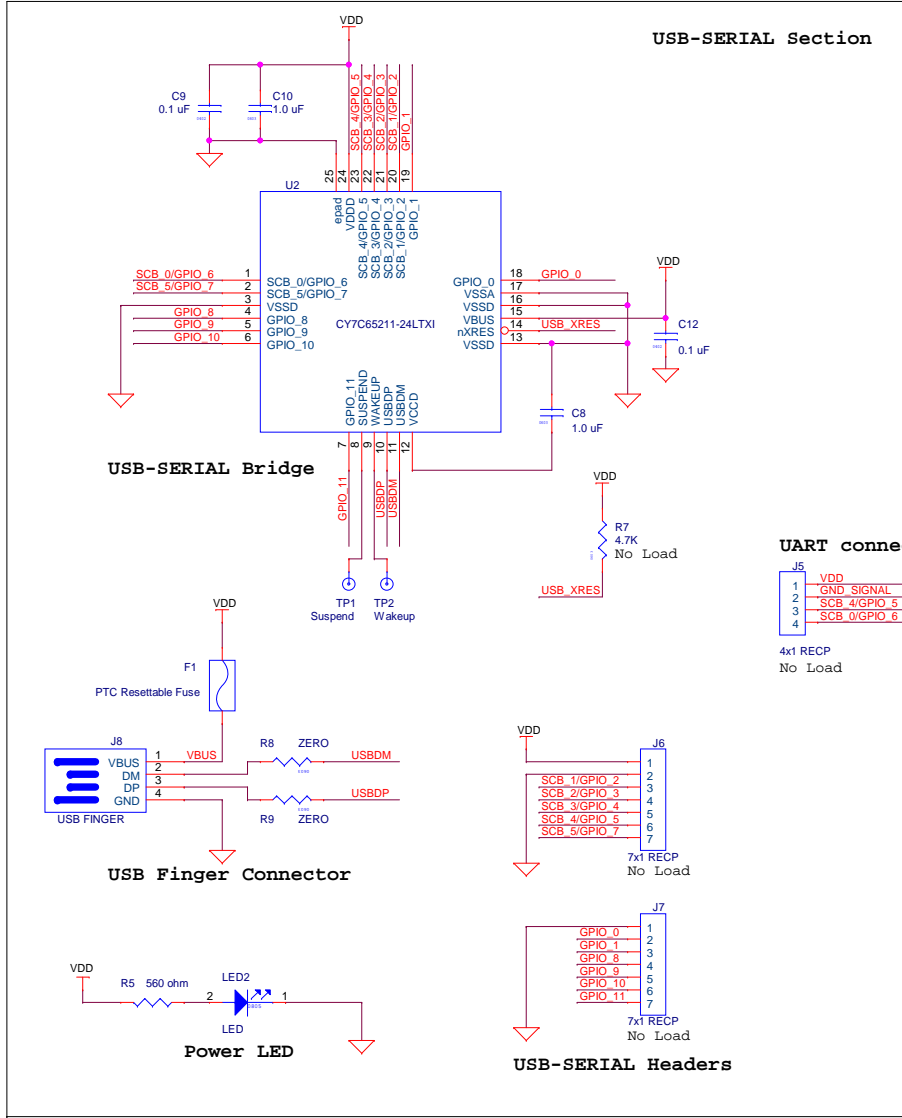
**CYPRESS SEMICONDUCTOR © 2013**

Title  
**CY8CKIT-049-42xx PSoC 4 Prototyping Kit**

Size Document Number  
**630-60174-01**

Rev  
**04**

Date: Wednesday, January 22, 2014 Sheet 1 of 1



PCA: 121-60140-01  
 PCB: 600-60178-01  
 FAB DRW: 610-60171-01  
 ASSY DRW: 620-60177-01

<b>CYPRESS SEMICONDUCTOR © 2013</b>		
<b>Title</b> CY8CKIT-049-42xx PSoc 4 Prototyping Kit		
<b>Size</b>	Document Number 630-60174-01	<b>Rev</b> 04
<b>Date:</b>	Wednesday, January 22, 2014	<b>Sheet</b> 1 of 1